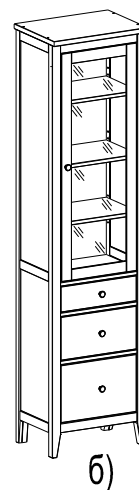
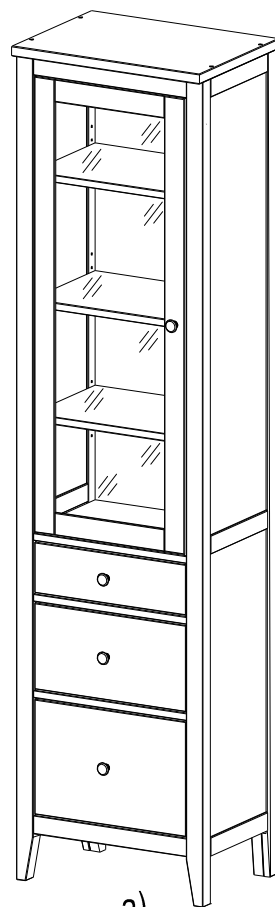
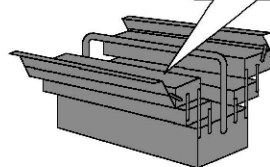
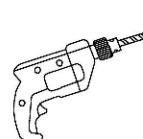
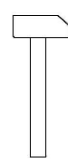


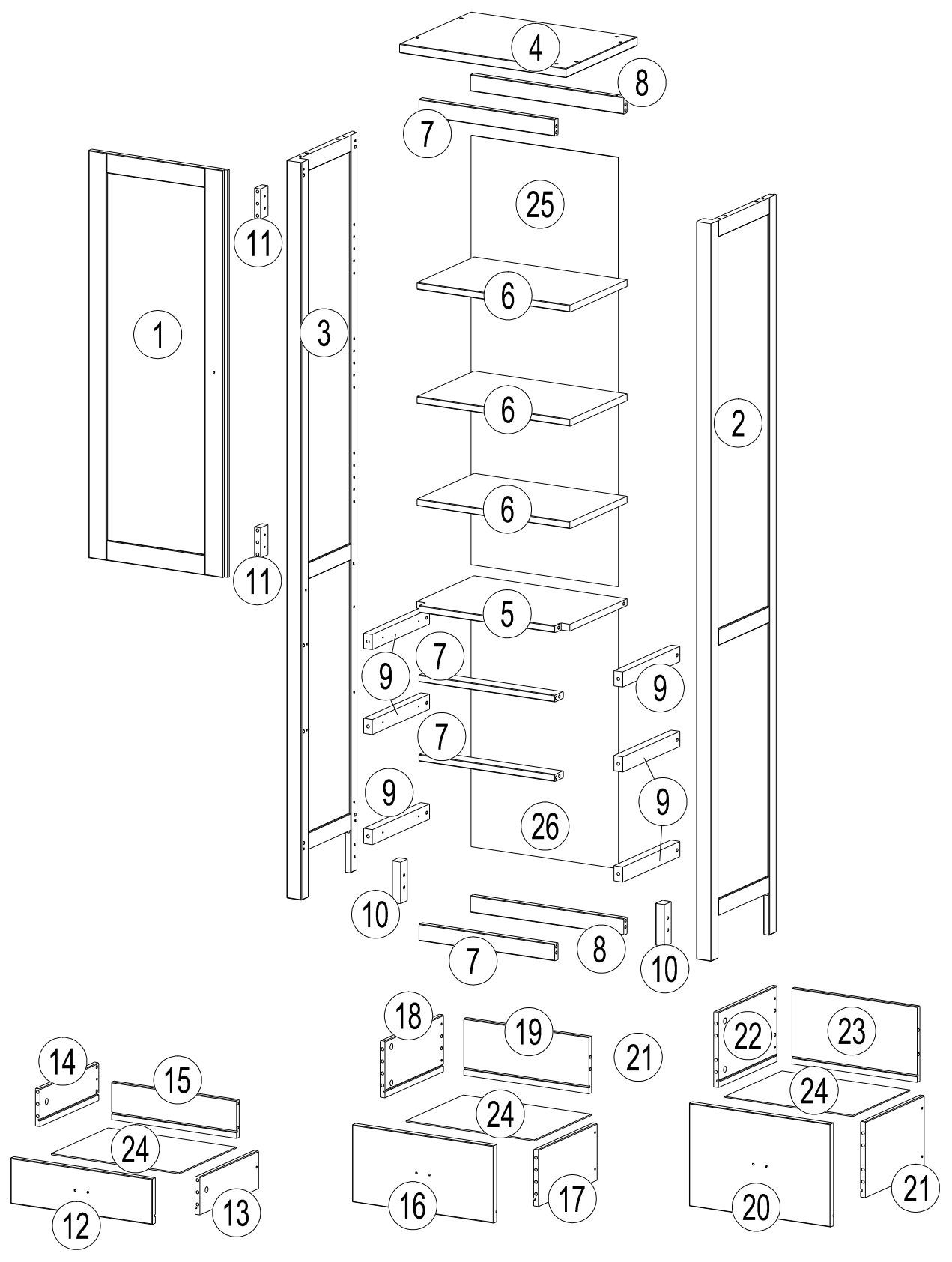
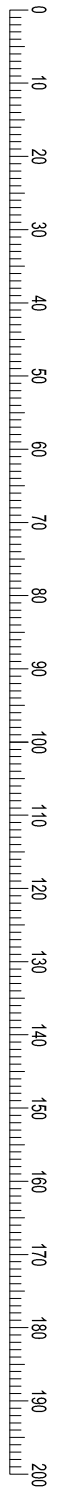
ШКАФ ДЛЯ ПОСУДЫ 13 LESET МИРА

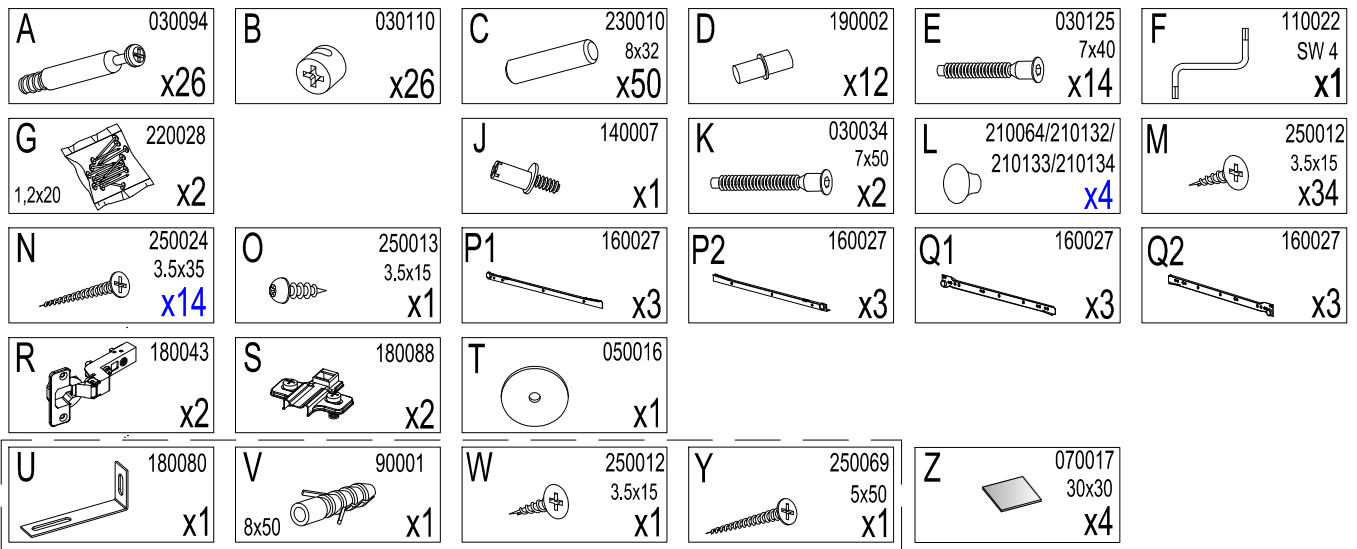


- | | |
|---------------------------------------|-----------------------------------|
| D Montageanleitung | GB Assembly instructions |
| FR Notice de montage | IT Istruzioni di montaggio |
| NL Handleiding voor de montage | PL Instrukcja montażu |
| CZ Montážní návod | SK Návod na montáž |
| HU Szerelési útmutató | RO Instrucțiuni de montaj |
| TR Montaj talimatı | RU Инструкция по монтажу |

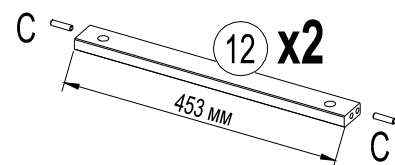
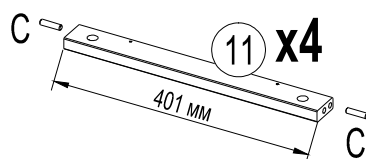
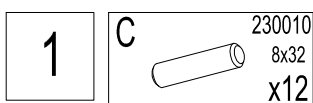


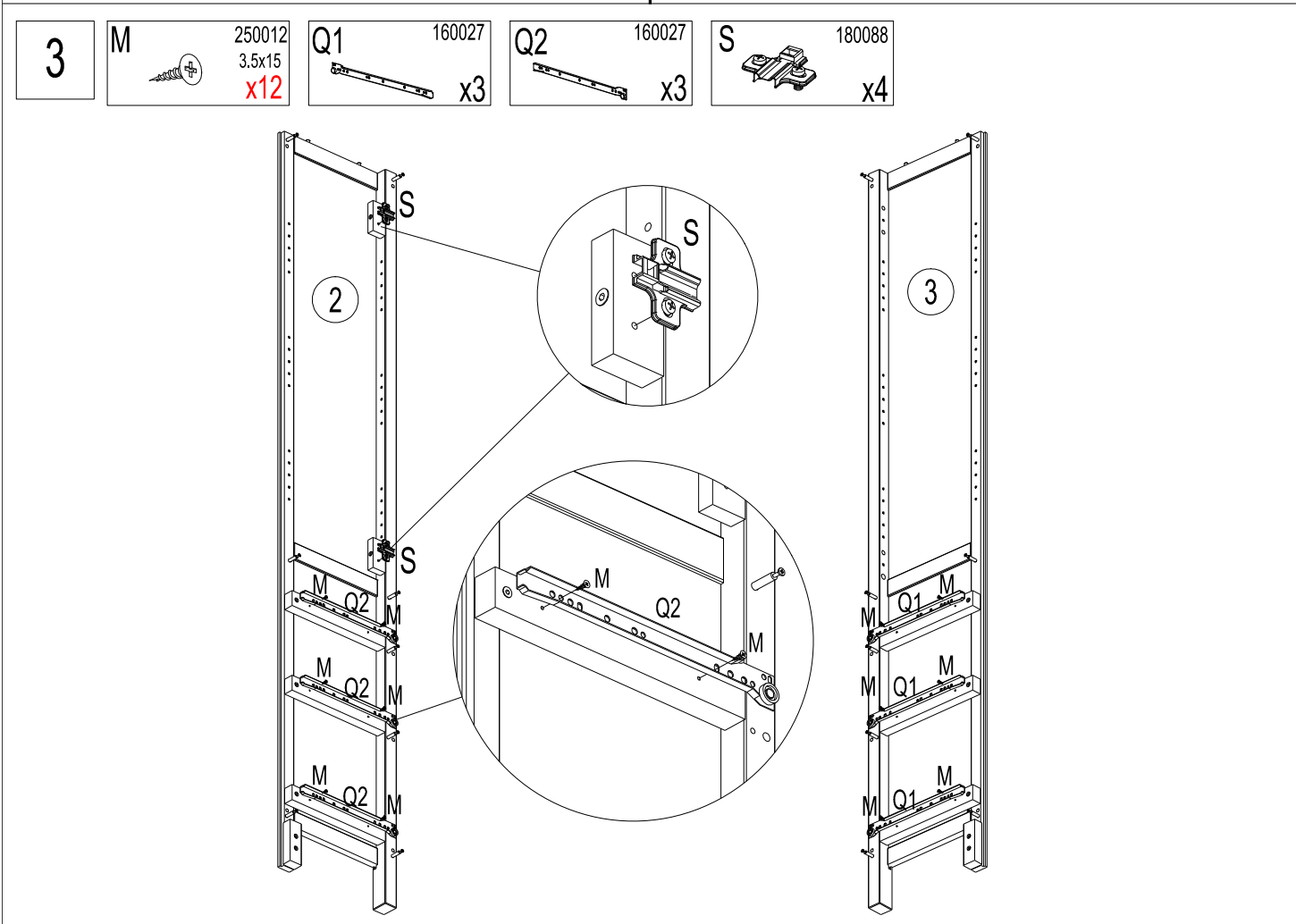
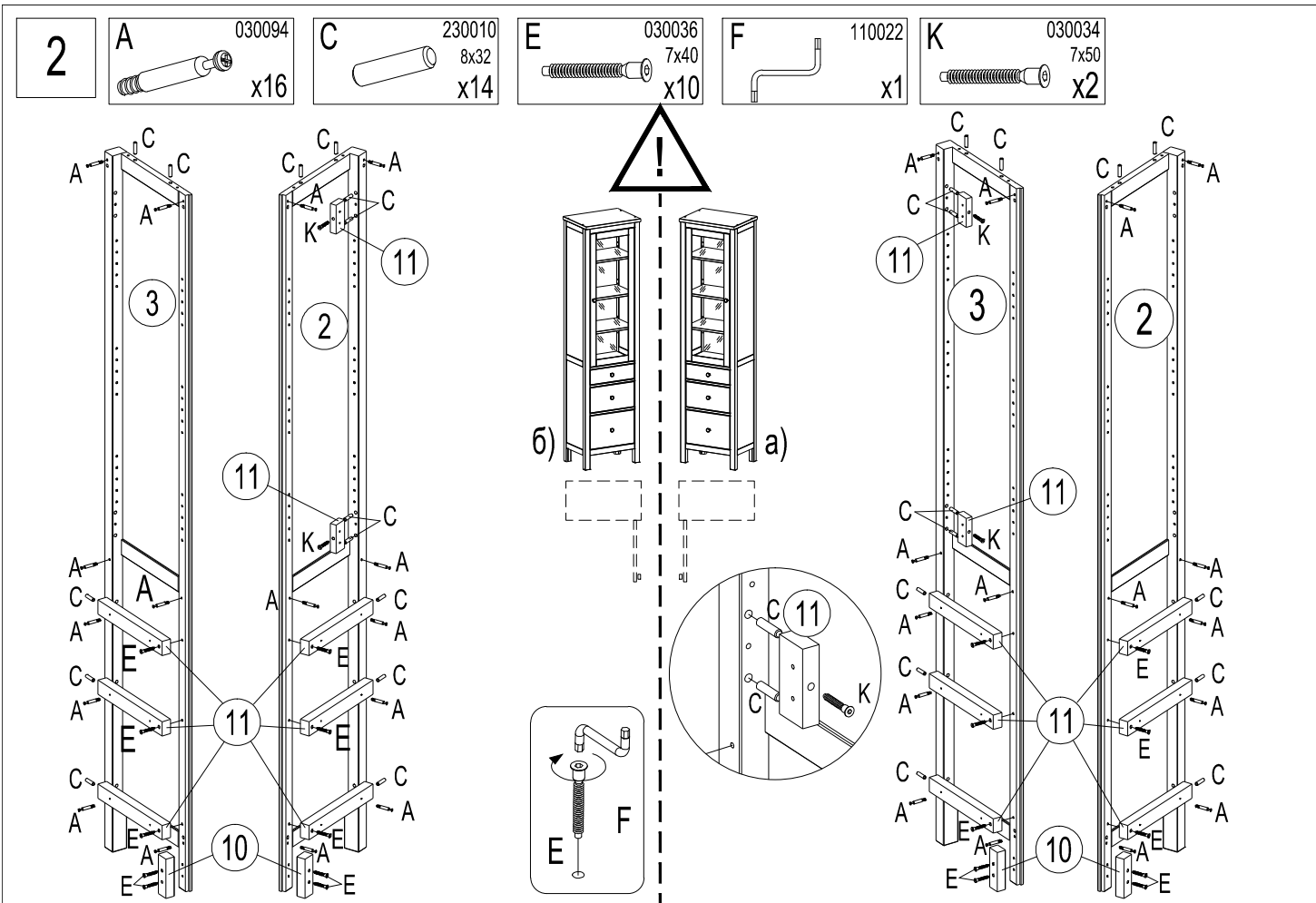
EAC





No	Size/MaB (mm)	Qty	✓	No	Size/MaB (mm)	Qty	✓
1	1078x396x18	1		15	348x100x14	1	
2	1948x334x44	1		16	396x204x18	1	
3	1948x334x44	1		17	300x150x14	1	
4	492x364x24	1		18	300x150x14	1	
5	453x326x18	1		19	348x150x14	1	
6	452x292x18	1		20	396x272x18	1	
7	401x44x18	4		21	300x200x14	1	
8	453x44x18	2		22	300x200x14	1	
9	292x40x26	6		23	348x200x14	1	
10	106x36x26	2		24	357x292x3	3	
11	80x38x18	2		25	1136x472x3	1	
12	396x120x18	1		26	700x472x3	1	
13	300x100x14	1					
14	300x100x14	1					

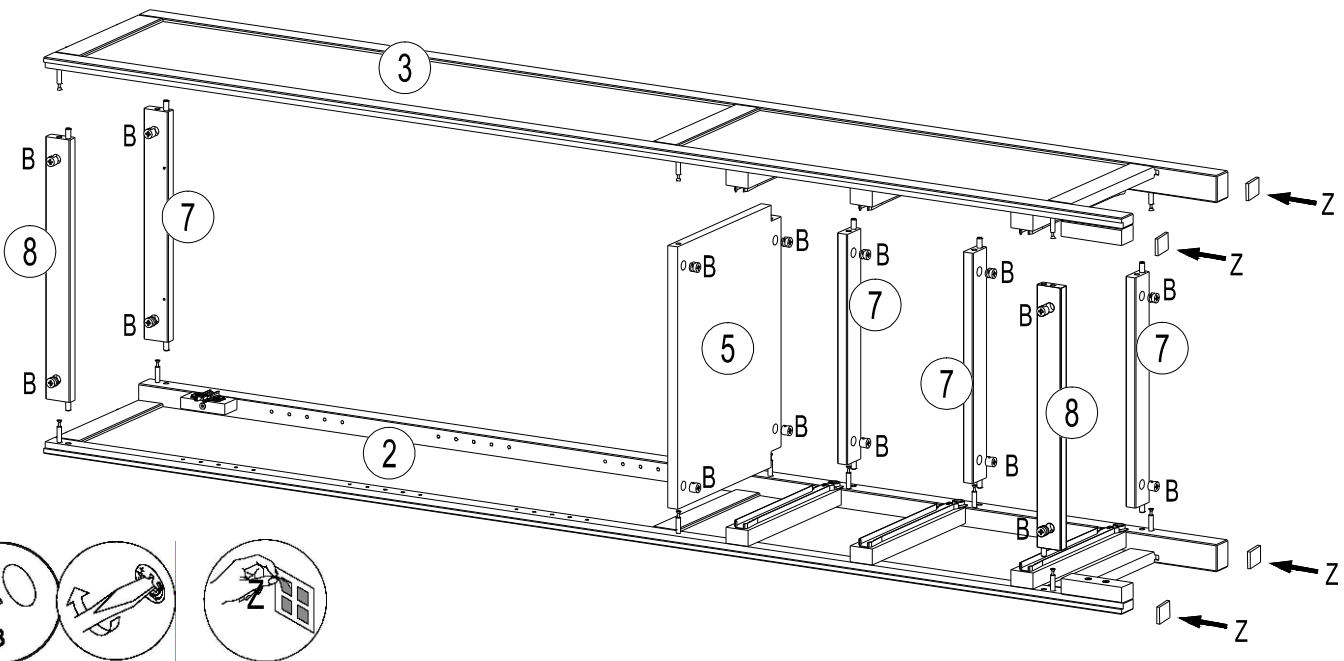




4

B 030110
x16

Z 070017
30x30
x4



5

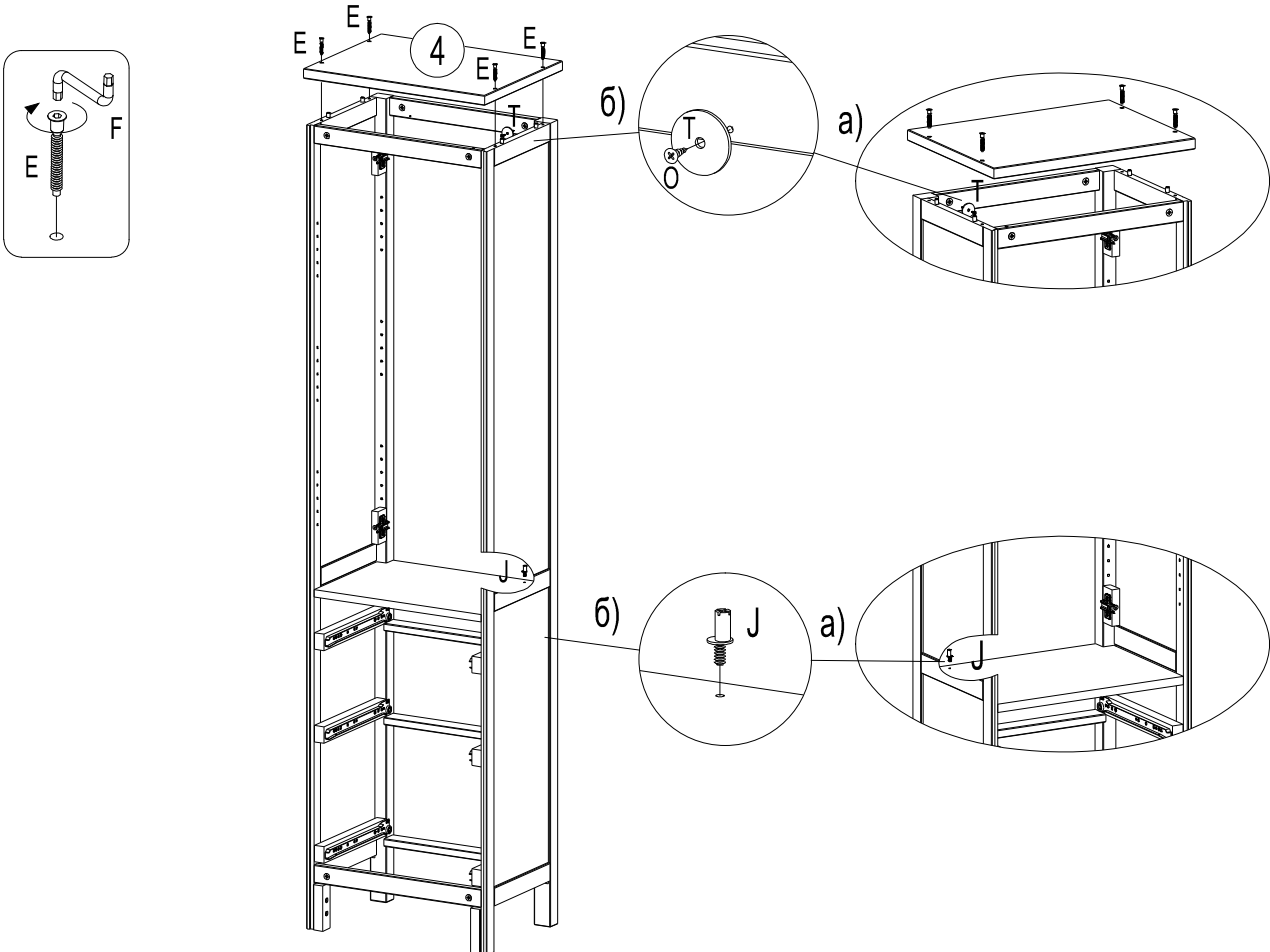
E 030125
7x40
x4

F 110022
SW 4
x1

O 250013
3.5x15
x1

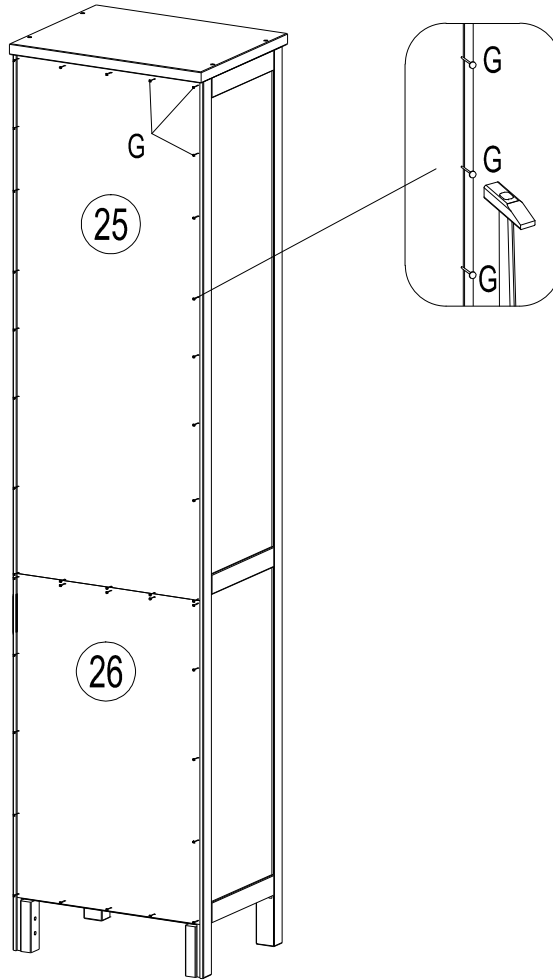
T 050016
x1

J 140007
x1



6

G 220028
1,2x20 x2



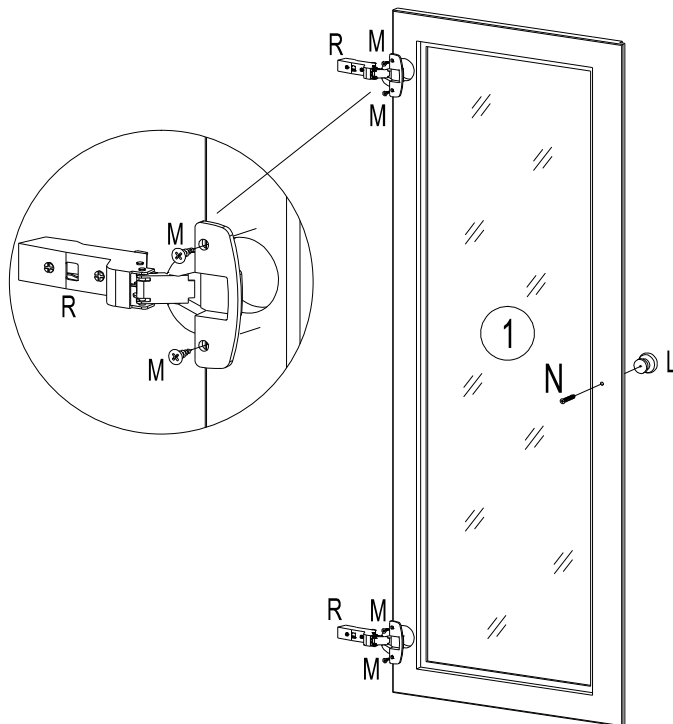
7

L 210064/210132/
210133/210134
x1

M 250012
3.5x15
x4

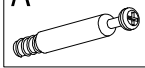



N 250024
3.5x35
x1

R 180043
x2

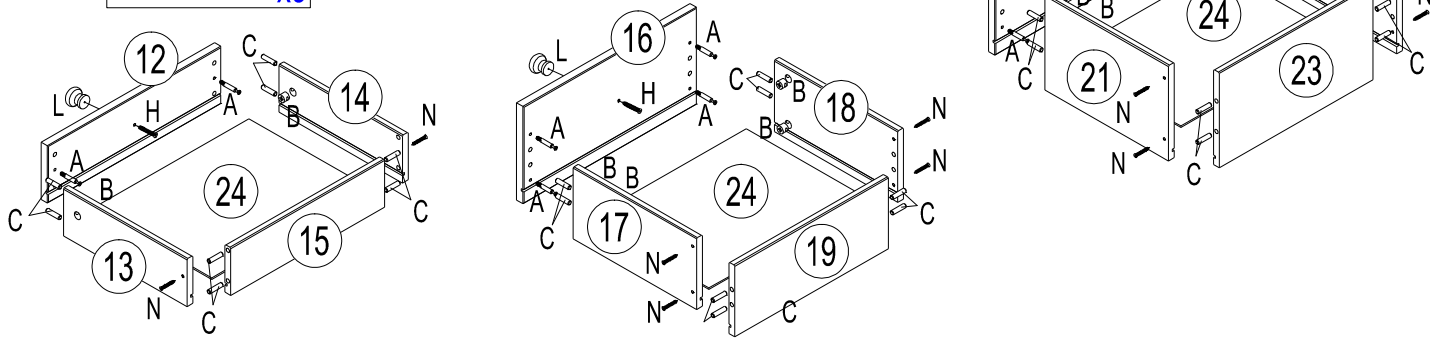


6




8

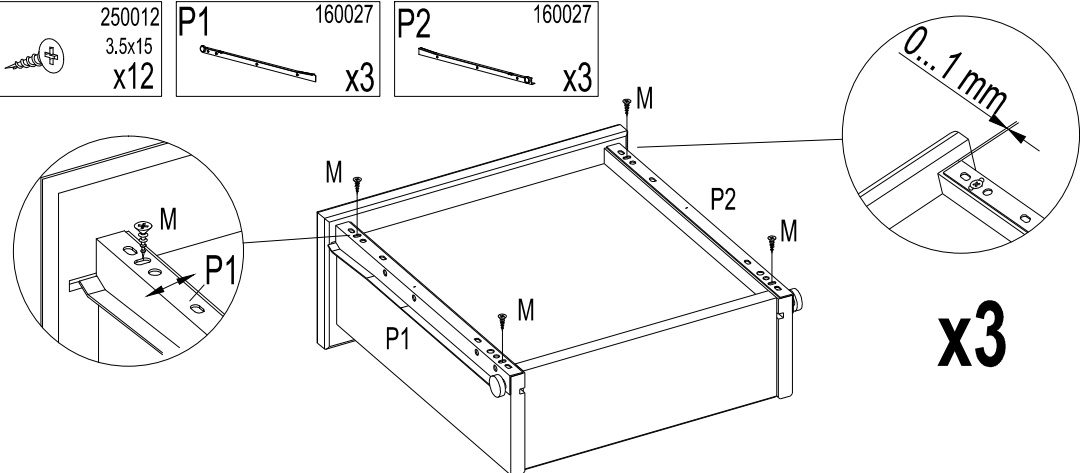
A	030094	B	030110	C	230010	N	250024
	x10		x10		8x32 x24		3.5x35 x13

L 210064/210132/
210133/210134
x3



9

M	250012	P1	160027	P2	160027
	3.5x15 x12		x3		x3



10



Montage



Demontage




11

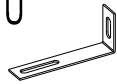
D 190002
x12



M 250012
3.5x15
x6



U 180080
x1



V 90004
8x40
x1



W 250012
3.5x15
x1



Y 250044
4x40
x1

