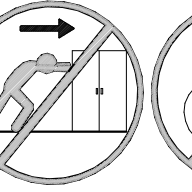
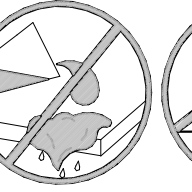
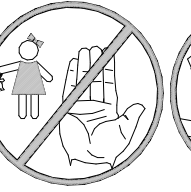
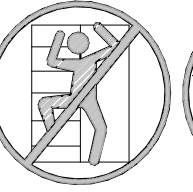
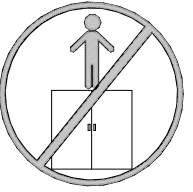
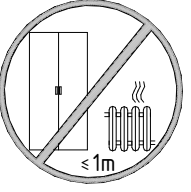
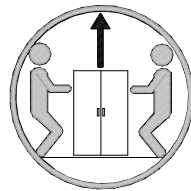
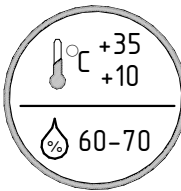
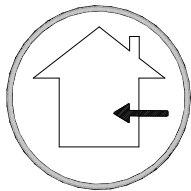
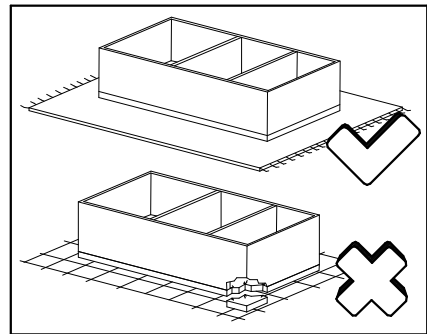
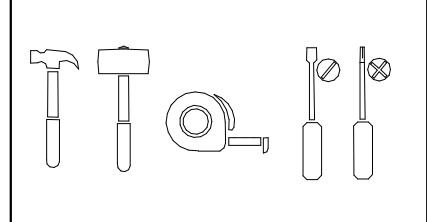
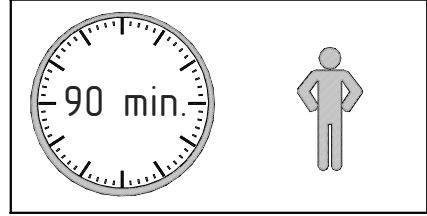
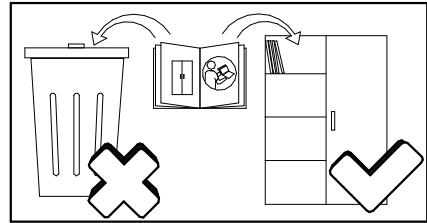
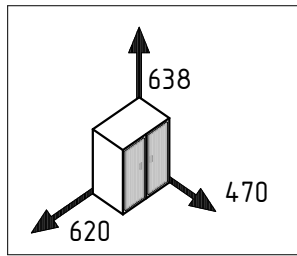
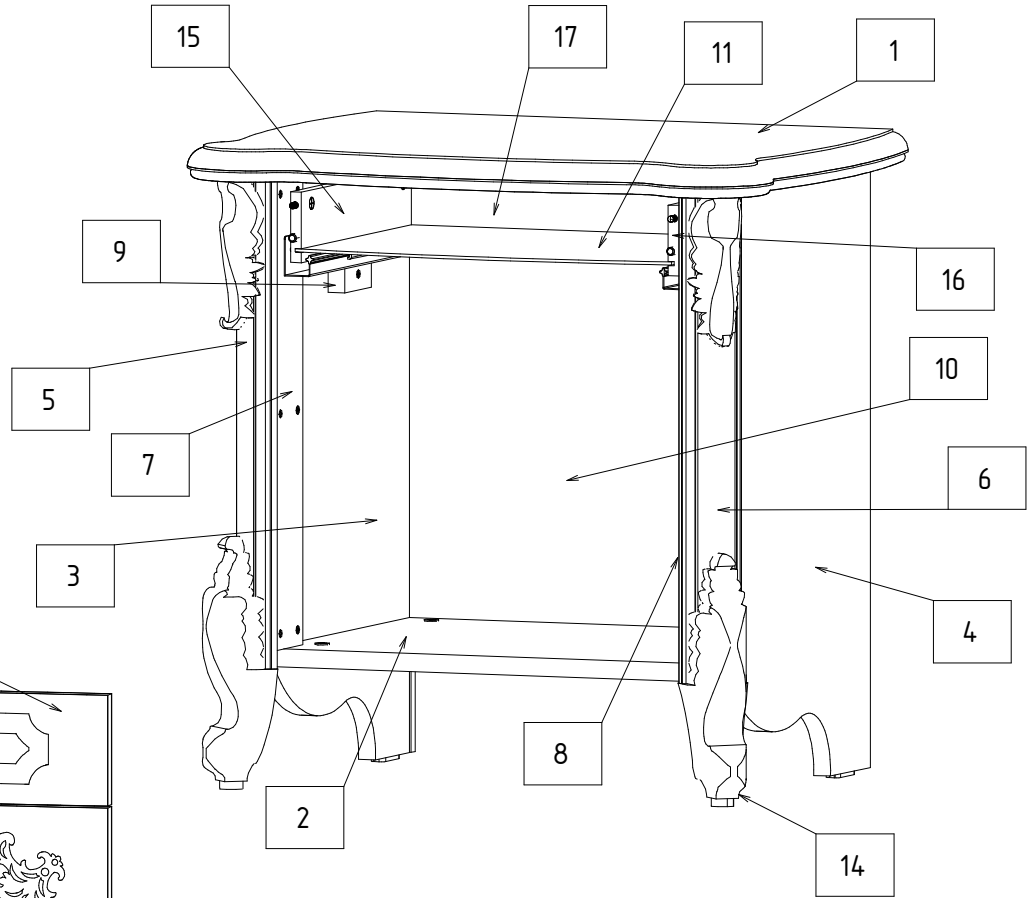
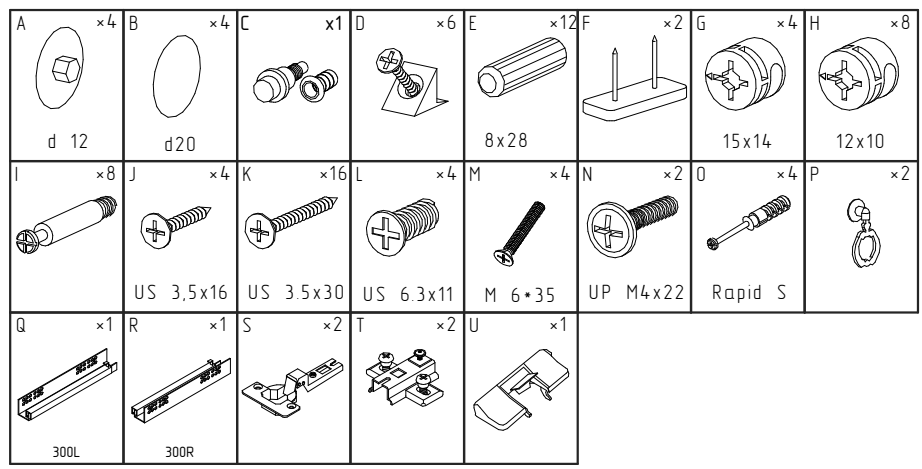


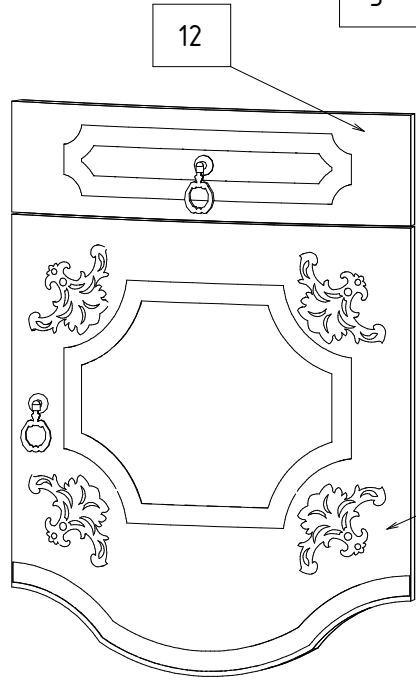
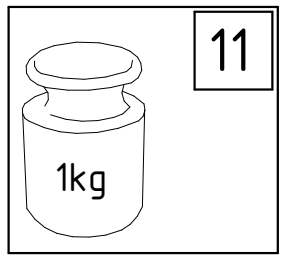
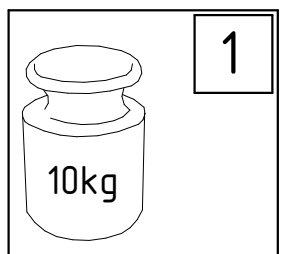
"Afrodita" Art. 25.201



"Afrodita" Art. 25.201

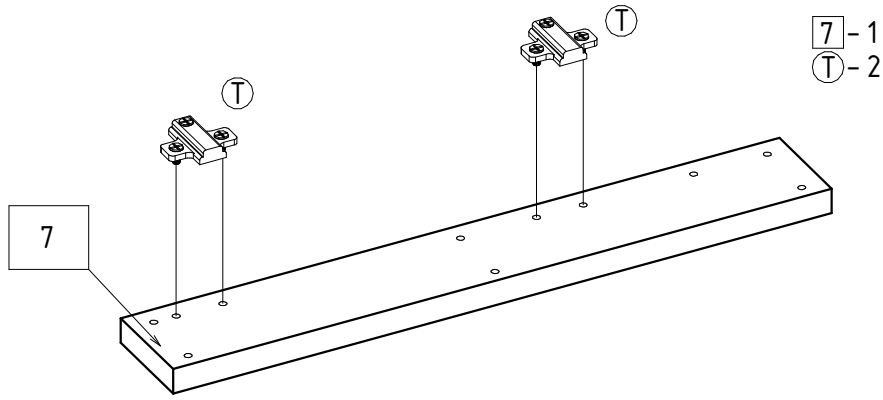


Art. 25.201			
Packaging number	Contains	L*W*H	Quantity
1	1	618x470x32	1
	2	467x392x18	1
	7	468x70x18	1
	8	468x70x18	1
	9	128x70x18	2
	10	482x482x3	1
2	3	602x374x18	1
	4	602x374x18	1
	11	401x316x3	1
	15	291x70x12	1
	16	291x70x12	1
3	12	450x110x40	1
	13	450x425x40	1
4	5	486x65x47	1
	6	486x65x47	1
5	14		2



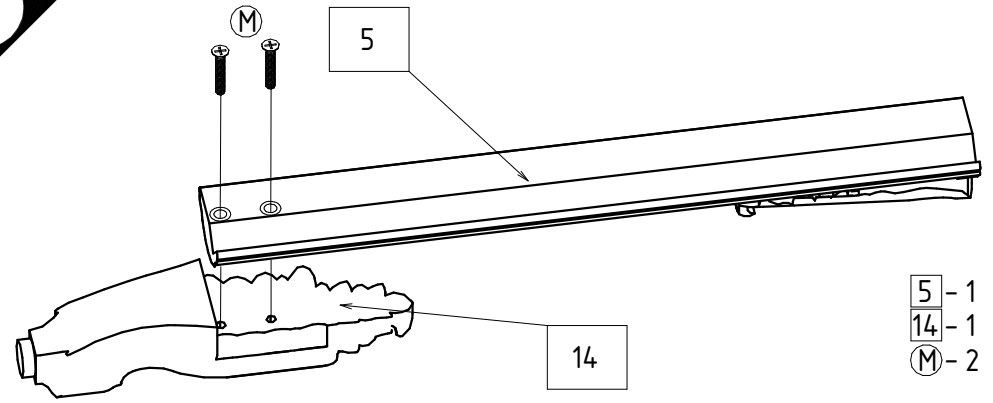
"Afrodita" Art. 25.201

1



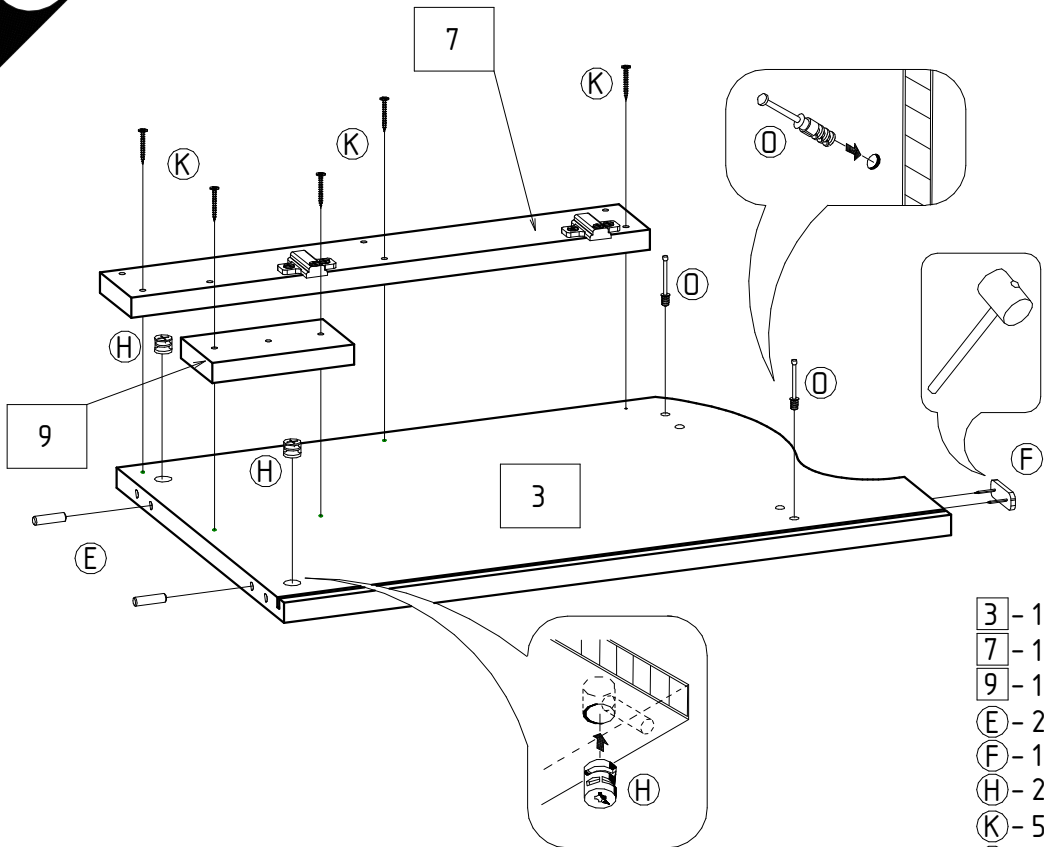
7-1
T-2

3



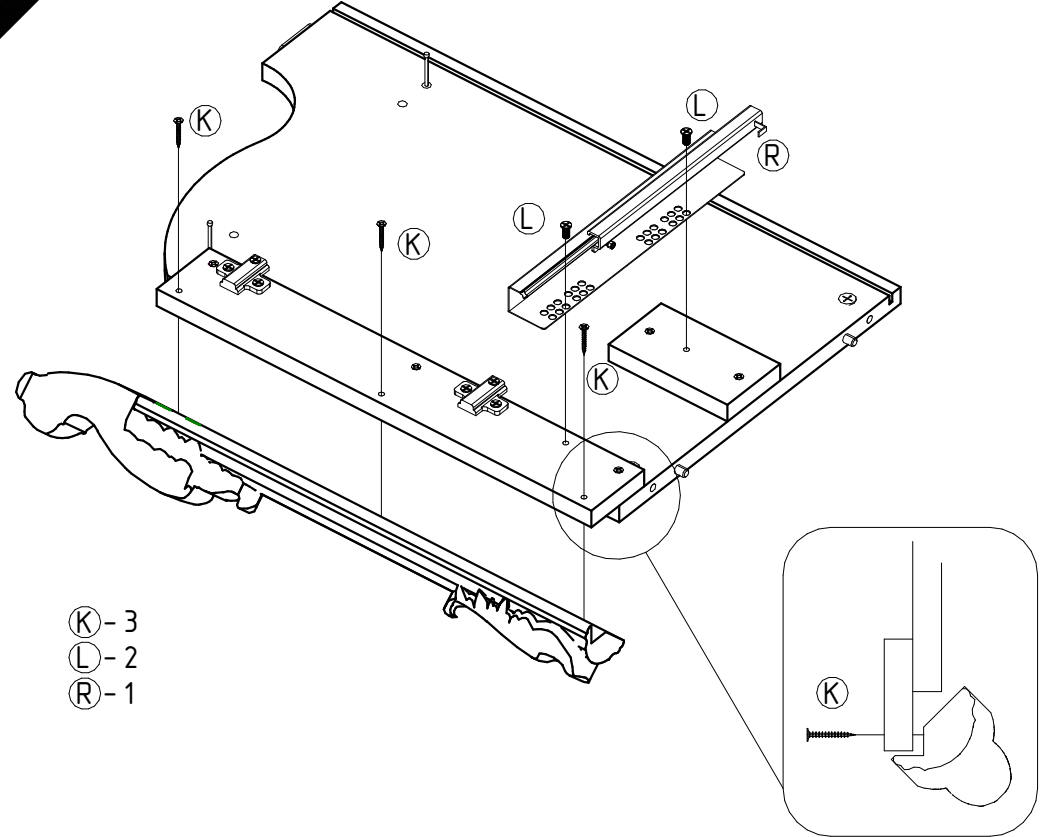
5-1
14-1
M-2

2



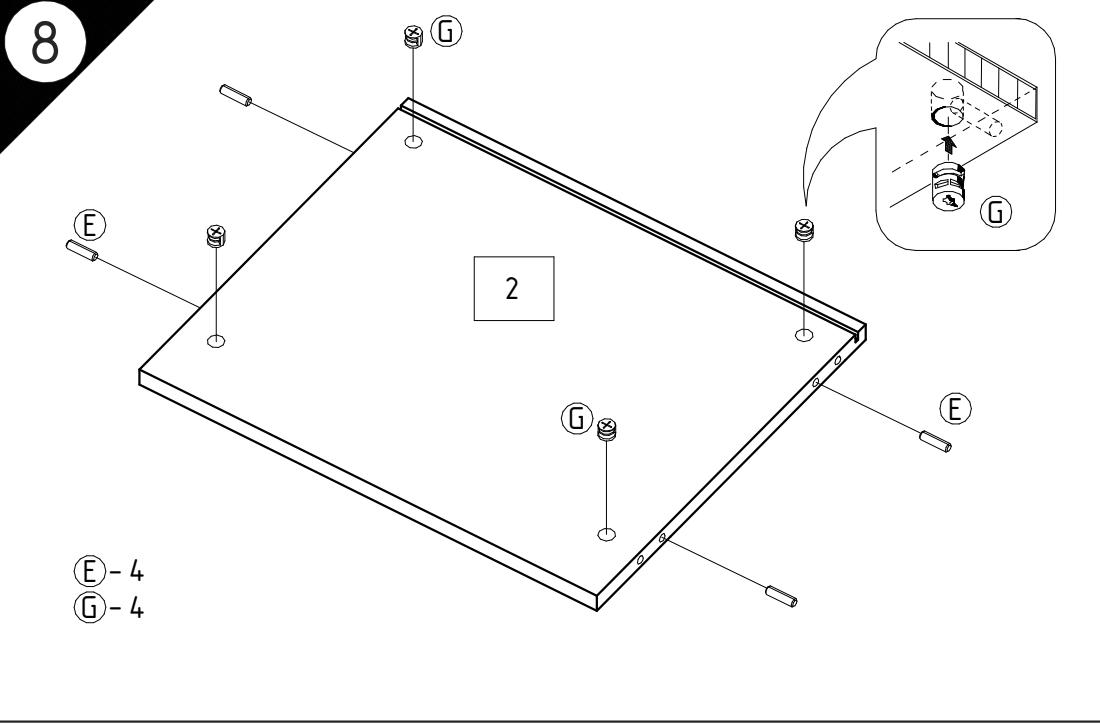
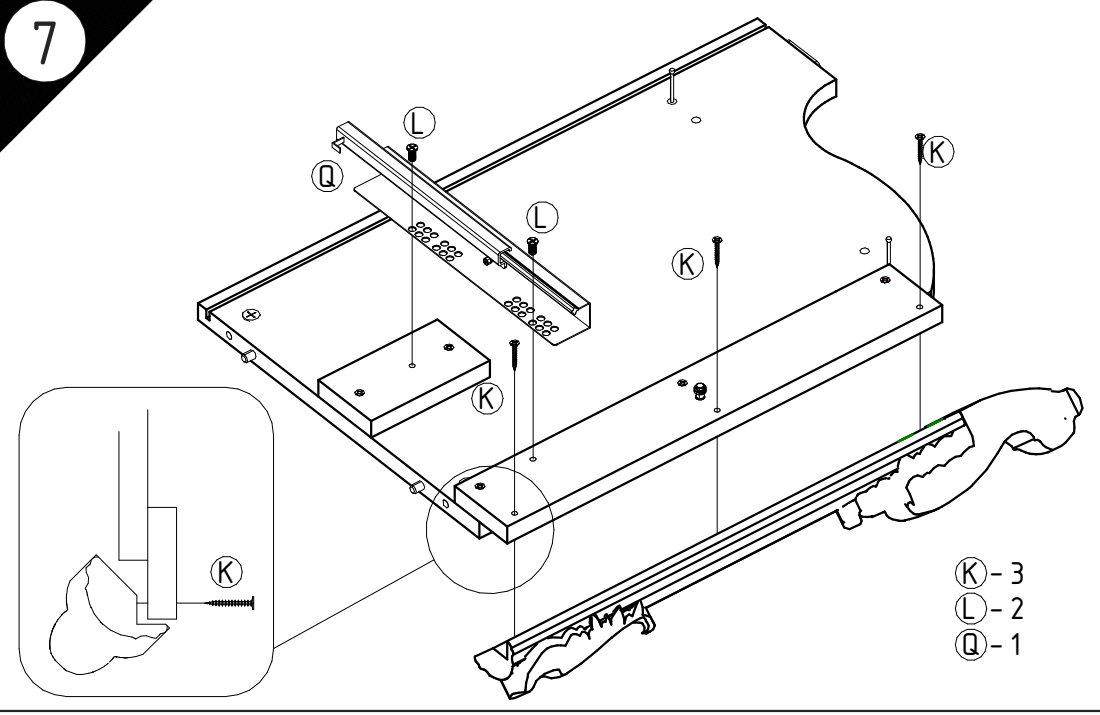
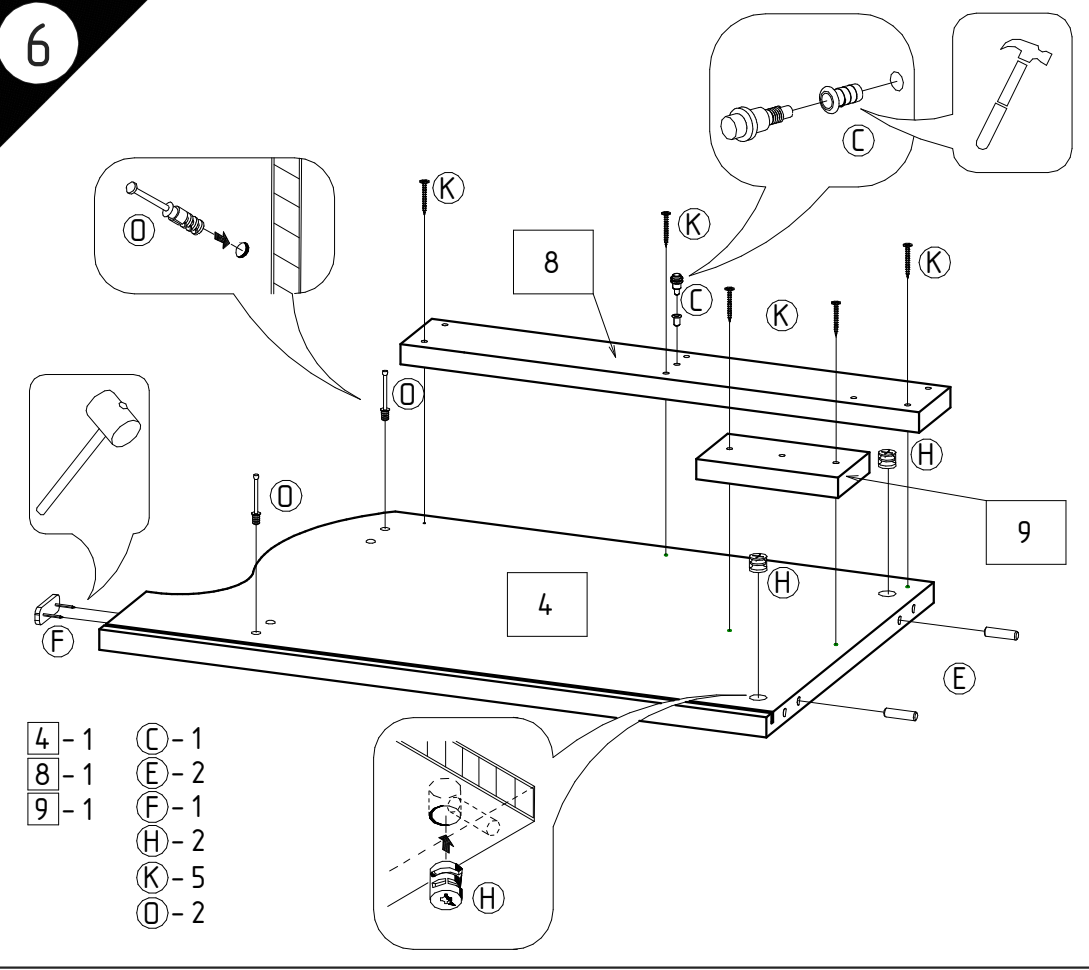
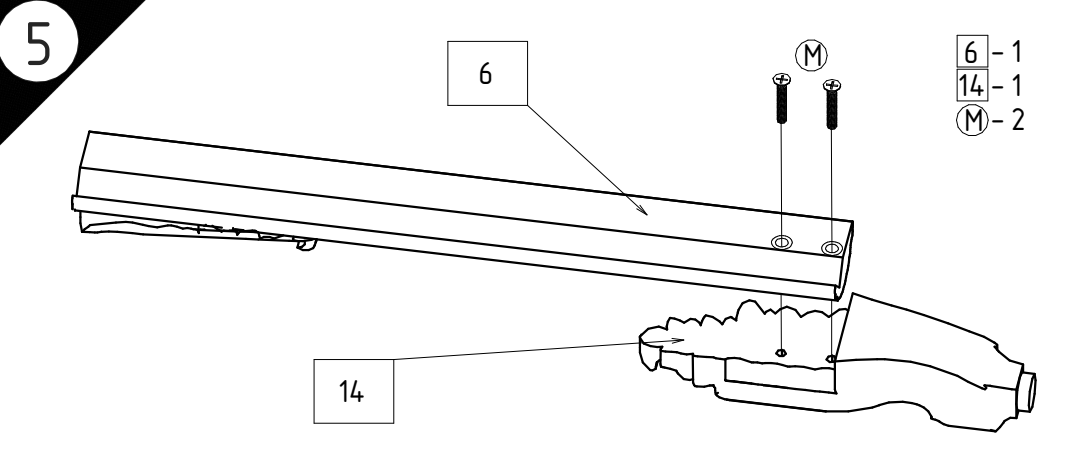
3-1
7-1
9-1
E-2
F-1
H-2
K-5
O-2

4

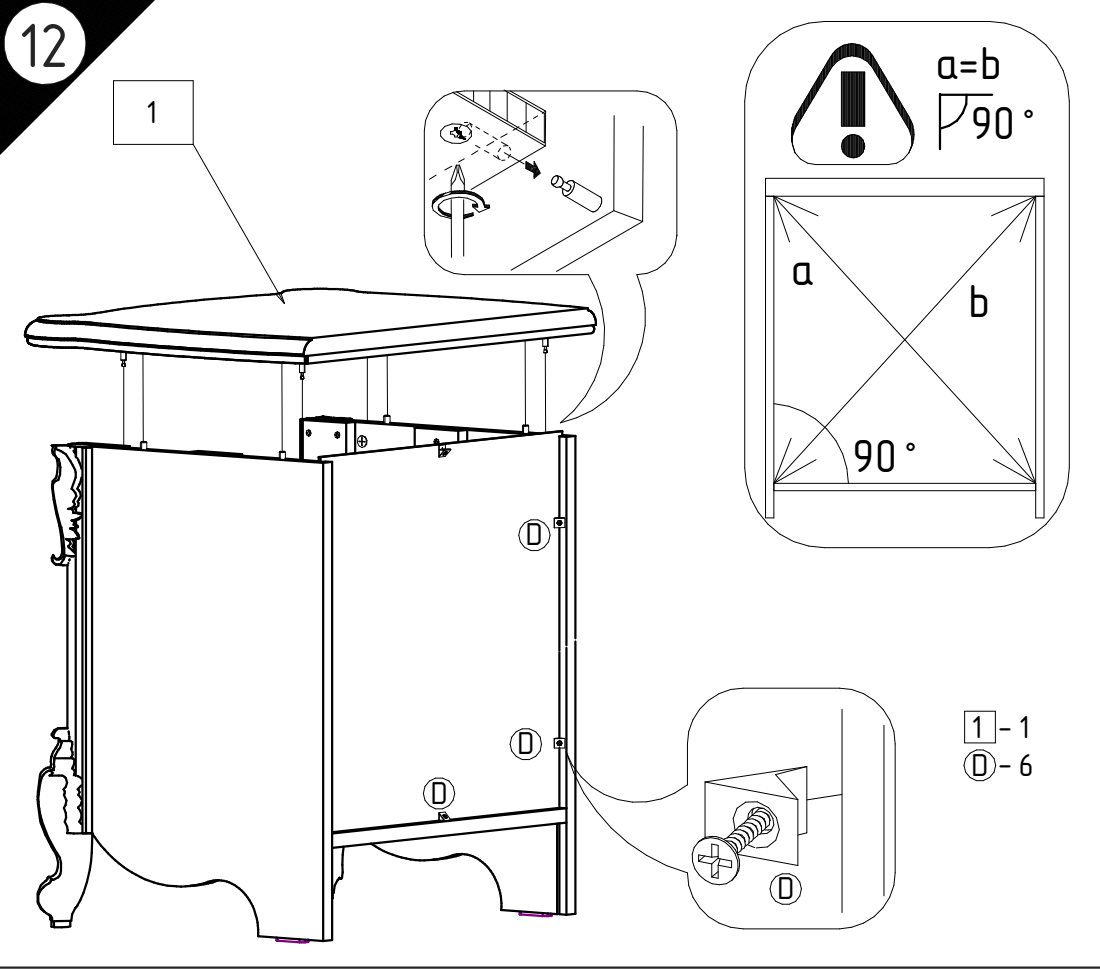
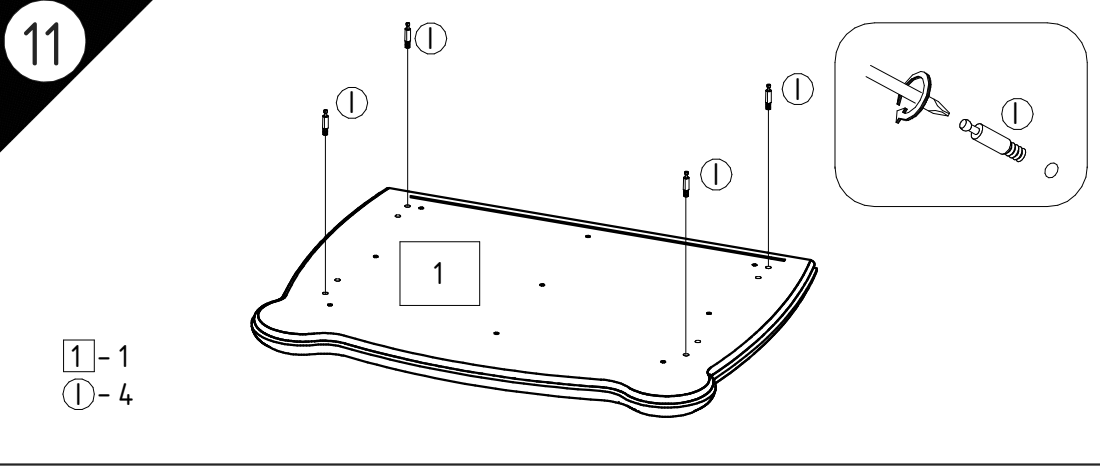
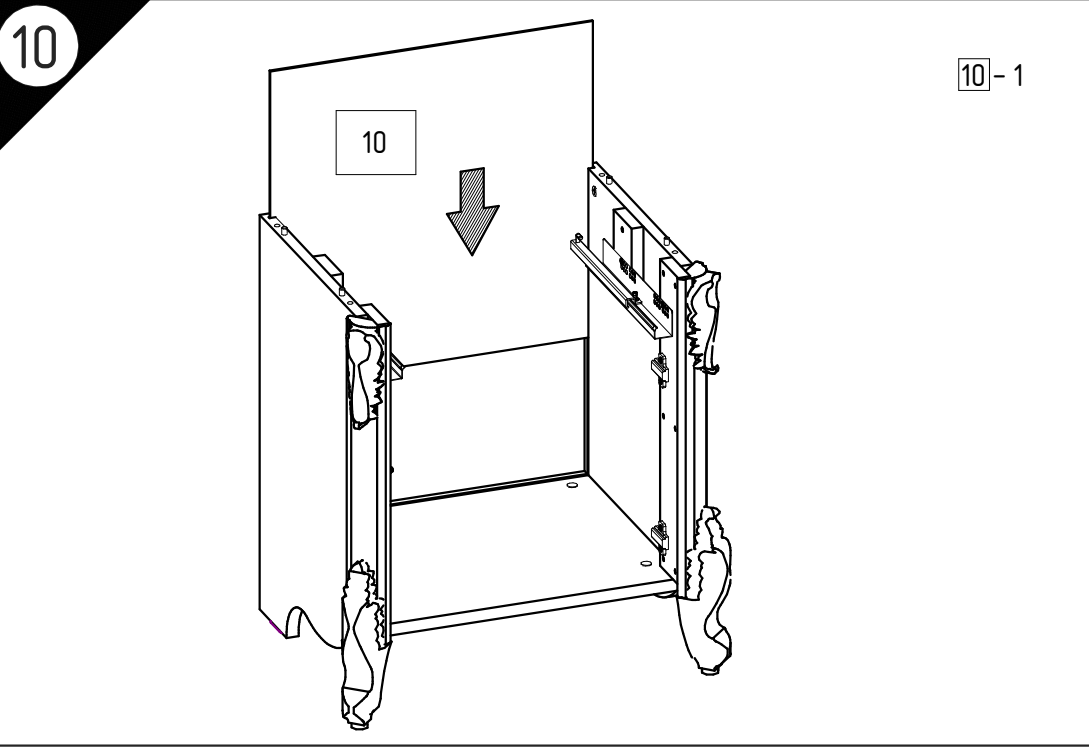
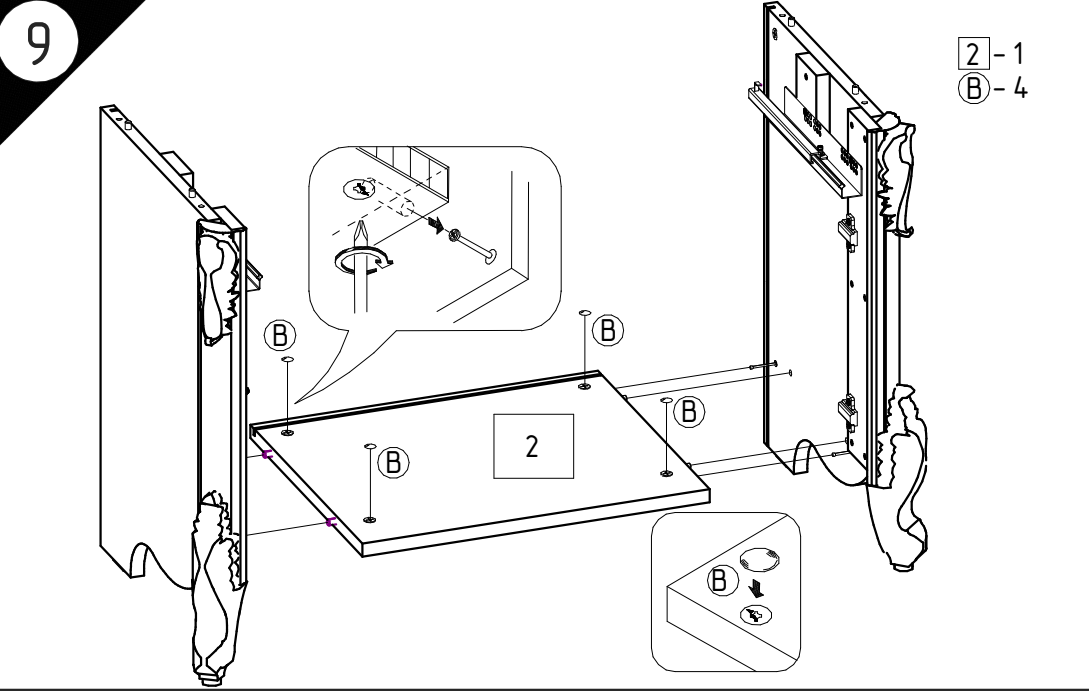


K-3
L-2
R-1

"Afrodita" Art. 25.201



"Afrodita" Art. 25.201



"Afrodita" Art. 25.201

13

15

16

E

H

15-1
16-1
E-4
H-4

14

17

I

I

17-1
I-2

15

12

P

I

N

I

12-1
I-2
N-1
P-1

16

11

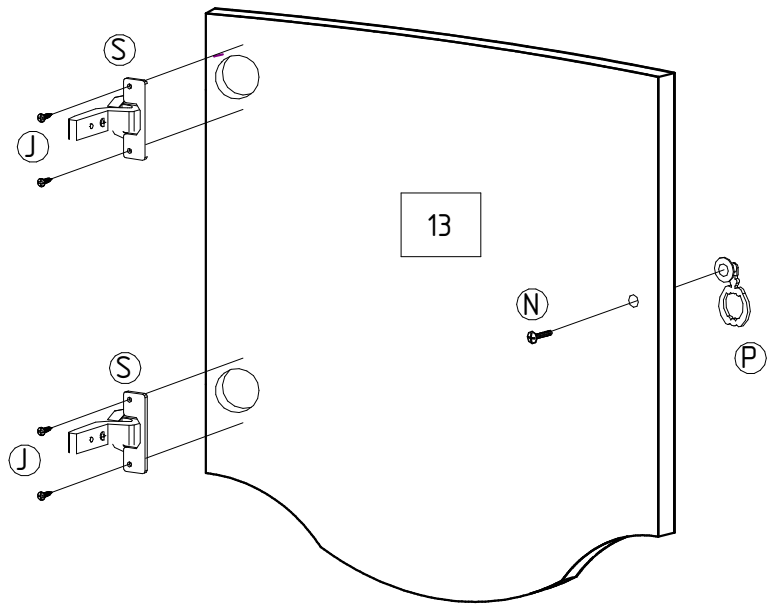
11-1
A-4

A

17

"Afrodita" Art. 25.201

18



- 13 - 1
- J - 4
- N - 1
- P - 1
- S - 2

19

